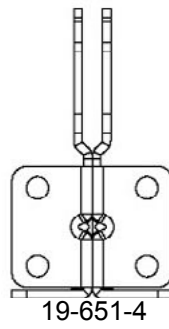
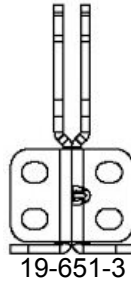
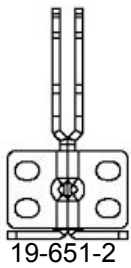
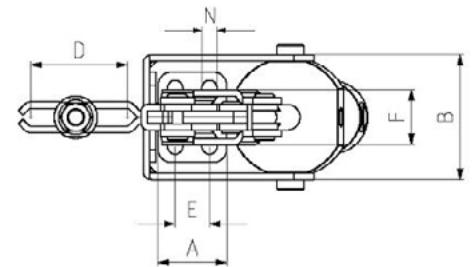
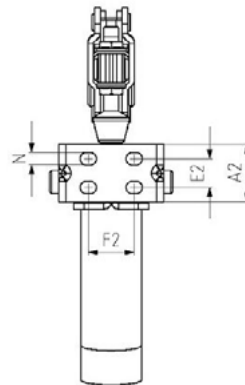
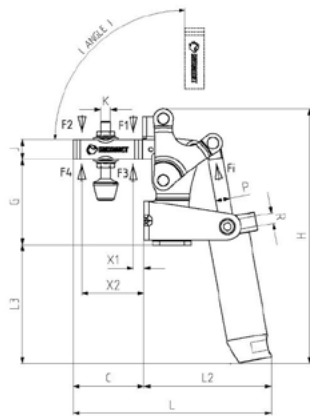


## 651-Pneumatic Toggle Clamps

Body Mounting Base: Vertical

| Part Number | F1 (kg) | F2 (kg) | F3 (kg) | F4 (kg) | Fi | VN (dm3) | Angle | Bar |
|-------------|---------|---------|---------|---------|----|----------|-------|-----|
| 19-651-2    | 122     | 71      | 142     | 94      | 30 | 0.25     | 100 ° | 6   |
| 19-651-3    | 203     | 142     | 254     | 159     | 50 | 0.51     | 100 ° | 6   |
| 19-651-4    | 305     | 203     | 336     | 224     | 76 | 1.04     | 100 ° | 6   |

F1-F2 Exerting Force. F3-F4 Holding Capacity. Fi Applied Force



| Part Number | A  | A2 | B  | C  | D  | E    | E2   | F         | F2        | G    | H   | J  | K   | L   | L2  | L3  | N   | X1 | X2 | P  | R    |
|-------------|----|----|----|----|----|------|------|-----------|-----------|------|-----|----|-----|-----|-----|-----|-----|----|----|----|------|
| 19-651-2    | 26 | 26 | 51 | 54 | 42 | 12.5 | 12.5 | 25-29     | 25-29     | 65   | 180 | 13 | M6  | 146 | 92  | 82  | 6x8 | 12 | 42 | 10 | G1/8 |
| 19-651-3    | 32 | 32 | 60 | 57 | 42 | 16   | 16   | 23.5-27.5 | 23.5-27.5 | 70.5 | 210 | 16 | M8  | 164 | 106 | 98  | 7x9 | 15 | 42 | 12 | G1/8 |
| 19-651-4    | 50 | 50 | 79 | 89 | 67 | 32   | 32   | 45        | 45        | 100  | 255 | 20 | M10 | 230 | 141 | 101 | 9   | 22 | 70 | 16 | G1/8 |

Pneumatic cylinders are double acting, magnetic & cushioning