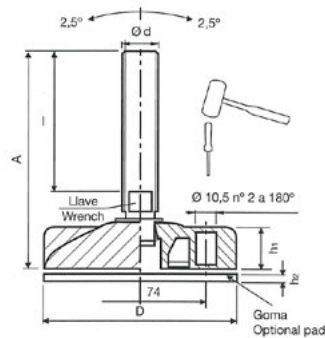


## 4202 – Adjustable Feet for Heavy Loads

Reinforced P.A.6 black plastic base • Zinc Plated Steel stud • Optional non skid rubber pad black PVC

\* Max Static Load – Vertical stud

Part Number	Kg*	D	h1	d	l	A	Wrench	h2
11-AFH102S16-119	3300	102	20	M16	119	159	13	3
11-AFH102S16-201	3300	102	20	M16	201	241	13	3
11-AFH102S20-107	3500	102	20	M20	107	150	17	3
11-AFH102S20-157	3500	102	20	M20	157	200	17	3
11-AFH102S24-162	3700	102	20	M24	162	208	19	3



## 4202 – Adjustable Feet for Heavy Loads

Reinforced P.A.6, Black with treated steel stud • Zinc Plated Steel stud • Optional non-slip rubber pad black PVC

\* Max Static Load – Vertical stud

Part Number	Kg*	D	h	h1	d	l	A	Wrench	h2
11-AFH124S16-119	4300	124	45	20	M16	119	180	13	5
11-AFH124S16-201	4300	124	45	20	M16	201	262	13	5
11-AFH124S20-107	4500	124	45	20	M20	107	171	17	5
11-AFH124S20-157	4500	124	45	20	M20	157	221	17	5
11-AFH124S24-162	4700	124	45	20	M24	162	229	19	5

