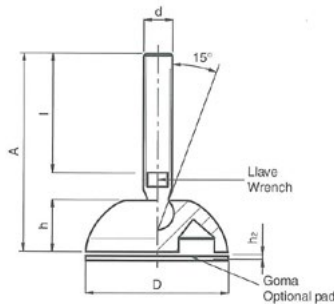


4201 – Adjustable Feet – Stainless Steel Stud

Reinforced P.A.6 black plastic base • Stainless Steel stud • Optional non skid rubber pad black PVC

* Max Static Load – Vertical stud

Part Number	Kg*	D	h	d	l	A	Wrench	h2
11-AFP40SS8-45	1000	40	13	M8	45	68	6	2.5
11-AFP40SS8-65	1000	40	13	M8	65	88	6	2.5
11-AFP40SS10-35	1100	40	13	M10	35	60	8	2.5
11-AFP40SS10-70	1100	40	13	M10	70	95	8	2.5
11-AFP50SS8-45	1100	50	13	M8	45	68	6	2.5
11-AFP50SS8-65	1100	50	13	M8	65	88	6	2.5
11-AFP50SS10-35	1200	50	13	M10	35	60	8	2.5
11-AFP50SS10-70	1200	50	13	M10	70	95	8	2.5
11-AFP50SS12-43	1300	50	13	M12	43	70	10	2.5
11-AFP50SS12-63	1300	50	13	M12	63	90	10	2.5



Non-slip Rubber Pad

Supplied as an accessory not mounted
40mm Part Number 11-FNSRP4201-40
50mm Part Number 11-FNSRP4201-50

4201 - Adjustable Feet – Steel Stud

Reinforced P.A.6, Black with treated steel stud • Punch out holes for foot to floor fixing • Optional non-slip rubber pad black PVC

* Max Static Load – Vertical stud

Part Number	Kg*	D	D1	h	d	l	A	d2	Wrench	h2
11-AFP102S16-90	2200	102	74	20	M16	90	130	10.5	13	3
11-AFP102S16-125	2200	102	74	20	M16	125	165	10.5	13	3
11-AFP102S16-165	2200	102	74	20	M16	165	205	10.5	13	3
11-AFP102S20-116	2400	102	74	20	M20	116	160	10.5	17	3
11-AFP102S20-206	2400	102	74	20	M20	206	250	10.5	17	3
11-AFP124S16-90	2500	124	94	24	M16	90	134	10.5	13	3
11-AFP124S16-125	2500	124	94	24	M16	125	169	10.5	13	3
11-AFP124S16-165	2500	124	94	24	M16	165	209	10.5	13	3
11-AFP124S20-116	2700	124	94	24	M20	116	164	10.5	17	3
1-AFP124S20-206	2700	124	94	24	M20	206	254	10.5	17	3

