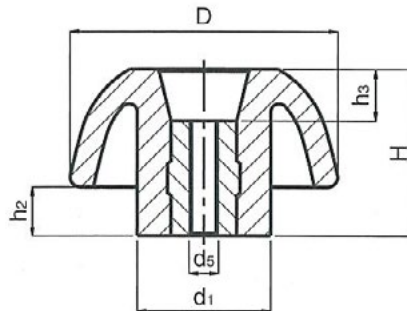


1138 - Knob MTC Thermoplastic - Female

Available in black or orange reinforced thermoplastic • Threaded female brass insert open

Part Number	D	H	d1	d5	t6	h2	h3
11-KPMX25B6O	25	16	13	M6	10	5	5
11-KPMX32B6O	32	20	15	M6	10	6	6
11-KPMX40B6O	40	25	16	M6	10	8	11
11-KPMX40B8O	40	25	16	M8	14	8	11
11-KPMX40B10O	40	25	16	M10	17	8	11
11-KPMX50B8O	50	31	21	M8	14	9	17
11-KPMX50B10O	50	31	21	M10	18	9	17
11-KPMX63B10O	63	39	23	M10	17	12	16
11-KPMX63B12O	63	39	23	M12	19	12	16

11-KPMX X = B - Black
 O - Orange

**1138 - Knob MTC Thermoplastic - Female**

Available in black thermoplastic • Threaded stainless steel inserts

Part Number	D	H	d1	d5	t6	h2
11-KPMB32SS6	32	20	15	M6	10	6
11-KPMB40SS8	40	25	16	M8	14	8
11-KPMB50SS10	50	31	21	M10	18	9

